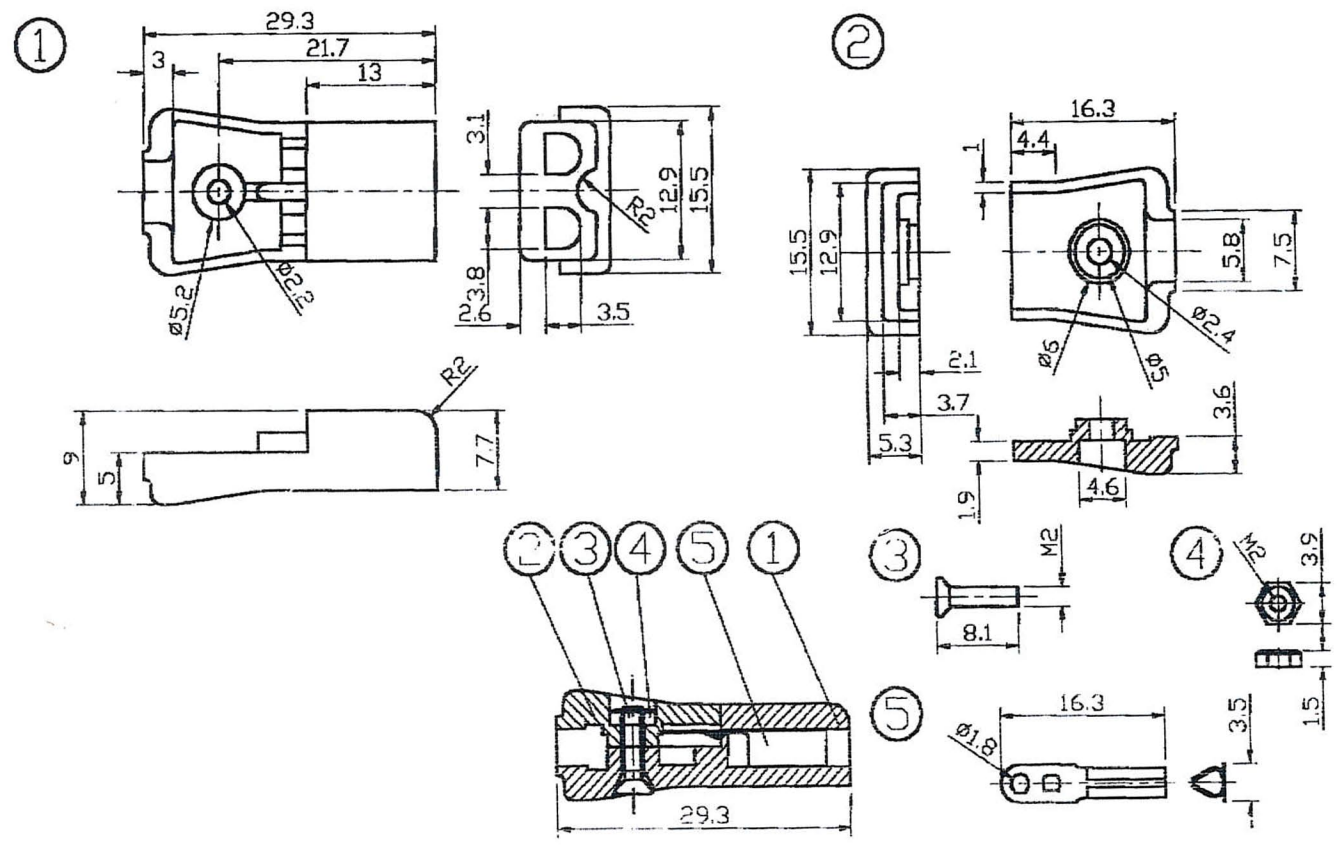


0.5-5 = +/- 0.2  
 5-30 = +/- 0.4  
 30-120 = +/- 0.6  
 120-315 = +/- 1  
 315-1000 = +/- 1.6  
 1000-2000 = +/- 2.4



RoHS COMPLIANT

APPROVED BY :



**UNITED AU-VI CO., LTD.**

Description:

2 PIN AC POWER JACK

Part No.:

AC-7990



5	CUPPER			
4	NUT			
3	SCREW			
2	BAKELITE			
1	BAKELITE			
NO	DESCRIPTION	Q'TY	MATERIAL	FINISH

Date: JAN 15 2018

File No.: HP-2230